



# FiWaRec<sup>®</sup> Catalogue for Directional Valves



IT'S  
**YOUR** SYSTEM  
OPTIMIZED WITH  
**OUR** COMPONENTS

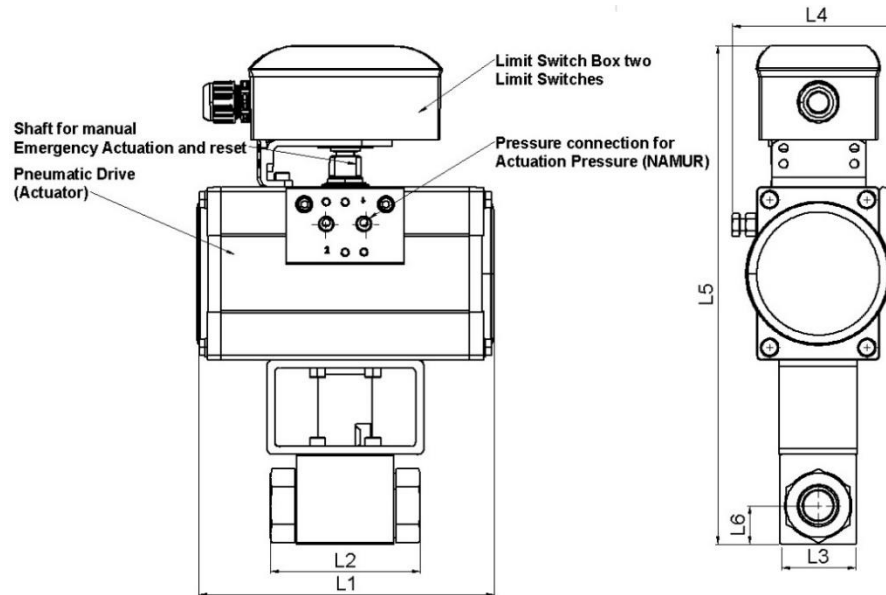
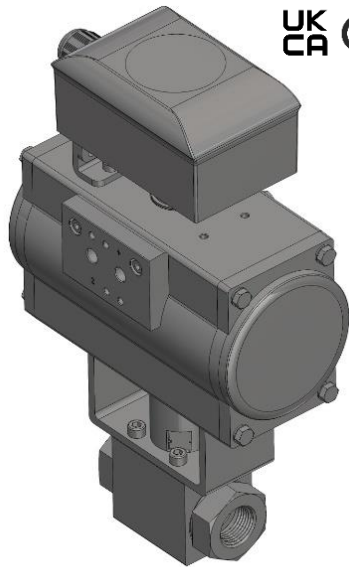
## General Technical Data

|   |  |
|---|--|
| <b>Allowed System Pressure PN</b>           | <b>140bar(110bar) and 240bar</b><br><i>A series for a maximum pressure of 63 bar is also available.</i><br><i>However, there is no VdS approval here</i>                                   |
| Nominal Actuation Pressure                  | 6bar   |
| Actuation Pressure Range                    | 6-10bar  |
| Temperature Range TS                        | -20°C to +100°C (Ball Valve)<br>-20°C to +80°C (Pneumatic Actuator)  |
| Gas Specifications and Extinguishing Agents | IG01, IG100, IG55, IG 541, CO <sup>2</sup> and Clean Agents  |
| Materials                                   | Zink plated steel, Stainless steel, aluminium, plastics, elastomeric materials   |
| Dimensions                                  | As per Technical Specification on further pages  |
| Connection Types                            | Threaded Connection (BSP,NPT);<br>ISO, ASME and DIN Flanges<br>(as per Technical Specification on further pages)   |
| Approvals                                   | VdS,  ,  , FM-tested |
| Technical Options                           | <ul style="list-style-type: none"> <li>• Electrical and mechanical Position Control</li> <li>• Manual Actuation and reset by Wrench</li> </ul>   |
| Values of electrical limit switch           | Voltage: 12-250V AC/DC<br>Operating current: 0,1-10A<br>Number of switches: max. 4   |

**FiWaRec® Product Catalogue  
for Directional Valves**



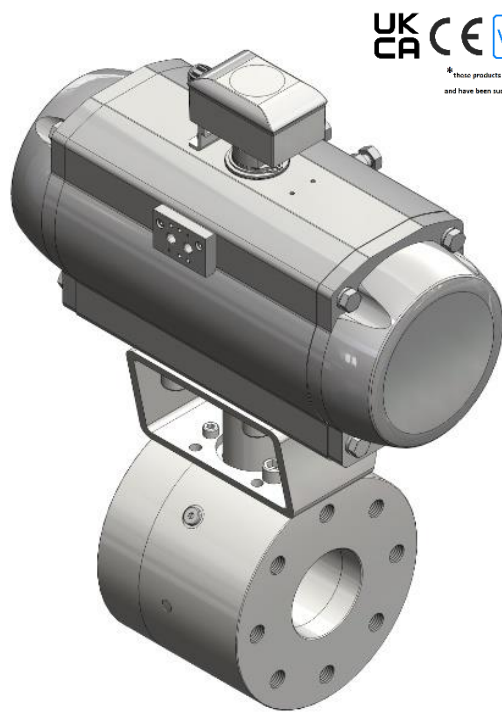
**Directional Valves for BSP Pipe Connection (as per DIN ISO 228) 140bar use**



| Article Code | Size | Connection Type [Thread] | L1  | L2  | L3  | L4  | L5  | L6   | Weight |
|--------------|------|--------------------------|-----|-----|-----|-----|-----|------|--------|
| F3000000     | DN20 | G3/4" BSP                | 189 | 95  | 49  | 108 | 317 | 24,5 | 6,2kg  |
| F3000200     |      | 3/4" NPT                 |     |     |     |     |     |      |        |
| F3001000     | DN25 | G1" BSP                  | 189 | 113 | 58  | 108 | 325 | 29,5 | 7kg    |
| F3001200     |      | G1" NPT                  |     |     |     |     |     |      |        |
| F3002000     | DN32 | G1 1/4" BSP              | 231 | 111 | 81  | 133 | 370 | 40   | 11kg   |
| F3002200     |      | 1 1/4" NPT               |     | 120 |     |     |     |      |        |
| F3003000     | DN40 | G1 1/2" BSP              | 257 | 130 | 100 | 154 | 413 | 50   | 15,8kg |
| F3003200     |      | 1 1/2" NPT               |     |     |     |     |     |      |        |
| F3004000     | DN50 | G2" BSP                  | 257 | 140 | 118 | 154 | 428 | 59   | 18,5kg |
| F3004200     |      | 2" NPT                   |     | 150 |     |     |     |      |        |

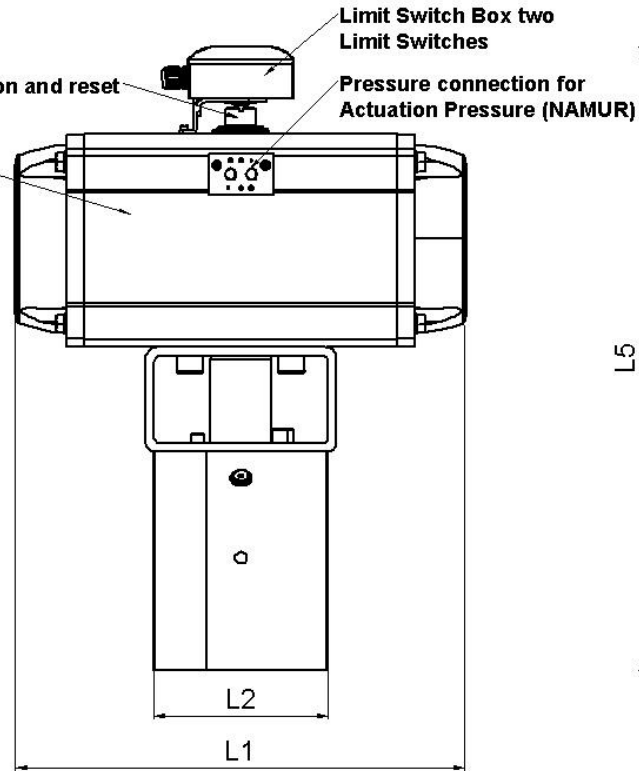
\*all lengths in millimeter [mm]

**Directional Valves with ISO Flange Connection (as per ISO6164-2) 140bar use**



\* These products meet the requirements of FM standards and have been successfully tested by FM Approvals

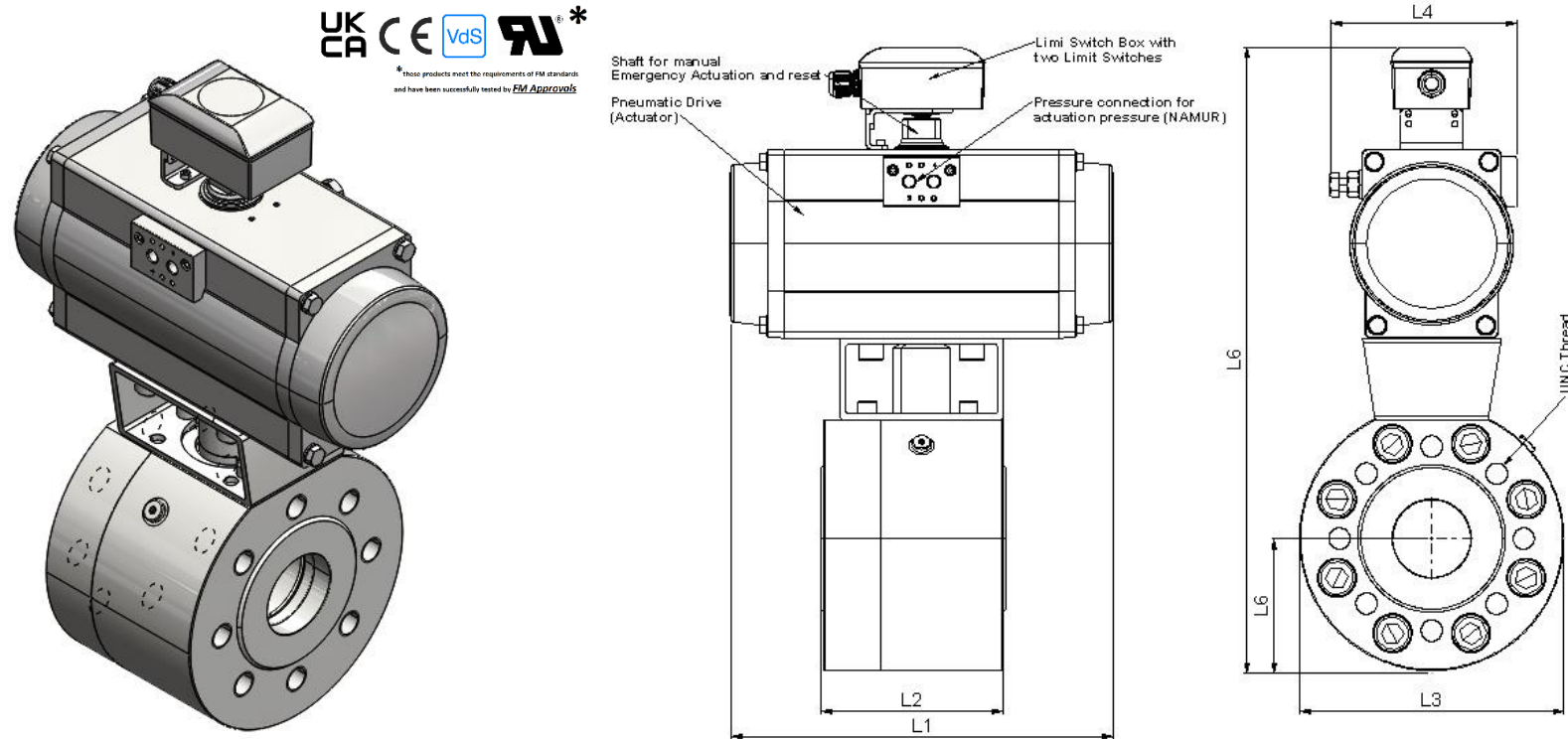
Shaft for manual  
Emergency Actuation and reset  
Pneumatic Drive  
(Actuator)



| Article Code | Size  | Connection Type<br>[ISO Flange] | L1  | L2  | L3  | L4  | L5  | L6  | Weight  |
|--------------|-------|---------------------------------|-----|-----|-----|-----|-----|-----|---------|
| F3005100     | DN63  | 2 1/2"                          | 334 | 150 | 208 | 161 | 546 | 104 | 48,4kg  |
| F3006100     | DN80  | 3"                              | 374 | 170 | 258 | 182 | 608 | 129 | 80,1kg  |
| F3007100     | DN100 | 4"                              | 519 | 200 | 260 | 242 | 718 | 130 | 113,4kg |

\*all lengths in millimeter [mm]

**Directional Valves with ASME Class 600 Flange Connection 110bar use**

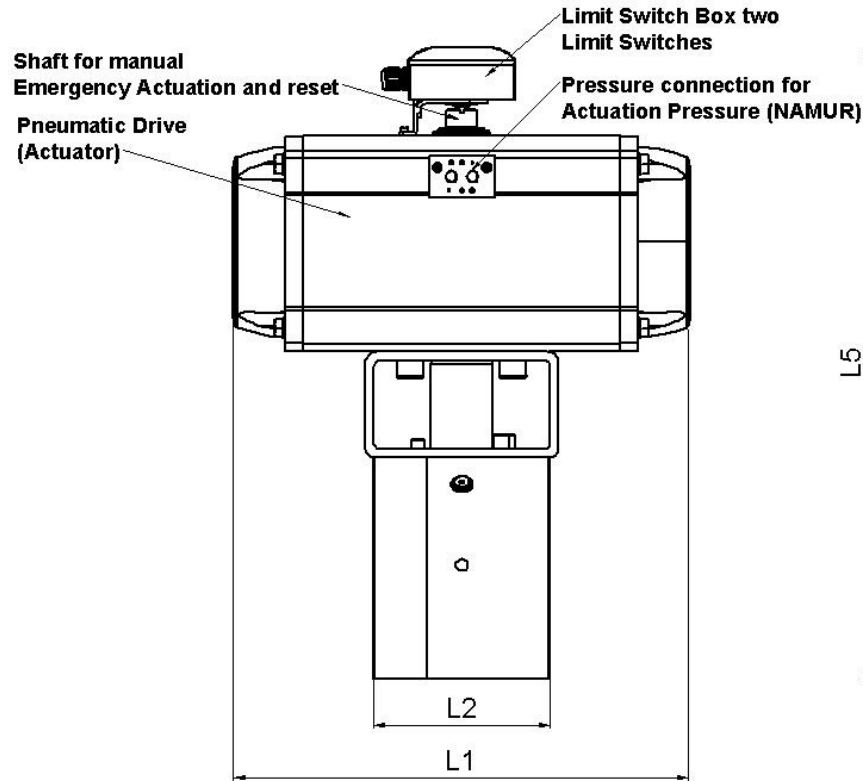
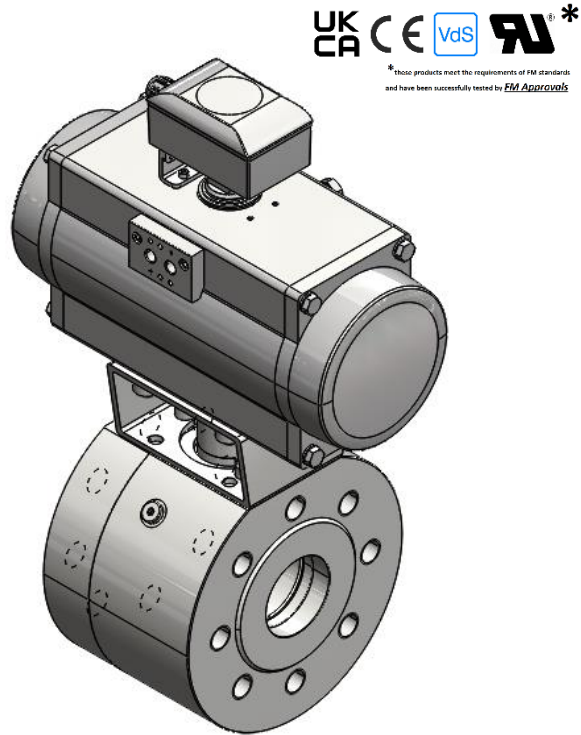


\*These products meet the requirements of FM standards and have been successfully tested by FM Approvals

| Article Code | Size  | Connection Type [ASME Flange] | L1  | L2  | L3  | L4  | L5  | L6  | Weight |
|--------------|-------|-------------------------------|-----|-----|-----|-----|-----|-----|--------|
| F3005300     | DN63  | 2 1/2"                        | 334 |     | 208 | 161 | 562 | 112 | 55,7Kg |
| F3006300     | DN80  | 3"                            | 374 | 190 | 258 | 182 | 609 | 129 | 84kg   |
| F3007300     | DN100 | 4"                            | 519 | 210 | 260 | 242 | 680 | 130 | 108kg  |

\*all lengths in millimeter [mm]

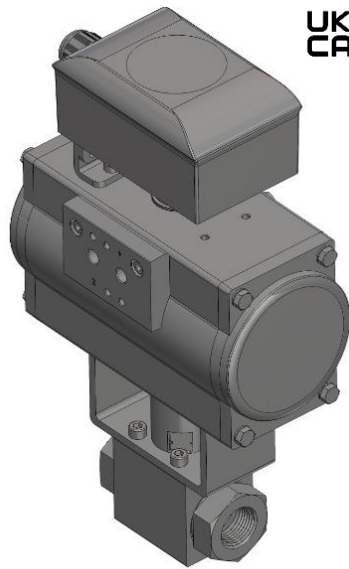
**Directional Valves with DIN EN 1092-1 Flange Connection 140bar use**



| Article Code | Size  | Connection Type [DIN Flange] | L1  | L2  | L3  | L4  | L5  | L6  | Weight |
|--------------|-------|------------------------------|-----|-----|-----|-----|-----|-----|--------|
| F3005400     | DN63  | 2 1/2"                       | 334 |     | 208 | 161 | 562 | 112 | 59,5kg |
| F3006400     | DN80  | 3"                           | 374 | 180 | 258 | 182 | 609 | 129 | 81,5kg |
| F3007400     | DN100 | 4"                           | 519 | 200 | 260 | 242 | 680 | 130 | 105kg  |

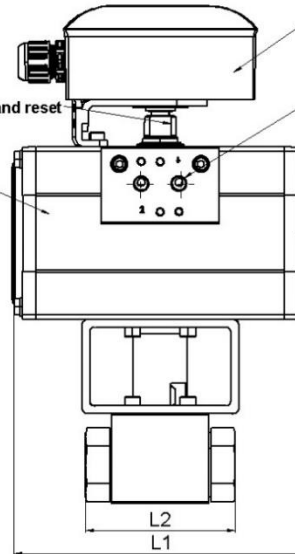


**Directional Valves for BSP Pipe Connection (as per DIN ISO 228) 240bar use**



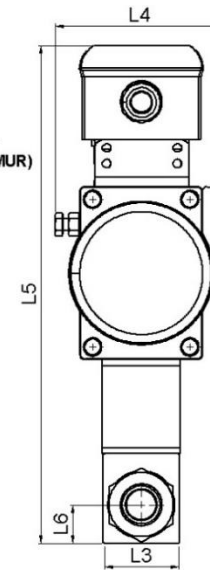
\*These products meet the requirements of FM standards and have been successfully tested by FM Approvals

Shaft for manual  
Emergency Actuation and reset  
Pneumatic Drive  
(Actuator)



Limit Switch Box two  
Limit Switches

Pressure connection for  
Actuation Pressure (NAMUR)

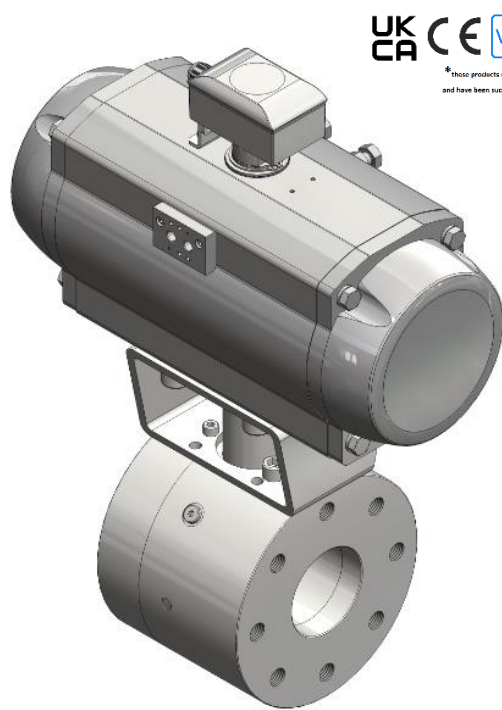


| Article Code | Size | Connection Type<br>[Thread] | L1  | L2  | L3  | L4  | L5  | L6   | Weight |
|--------------|------|-----------------------------|-----|-----|-----|-----|-----|------|--------|
| F300010      | DN20 | G3/4" BSP                   | 189 | 95  | 49  | 108 | 317 | 24,5 | 6,2kg  |
| F3000210     |      | 3/4" NPT                    |     |     |     |     |     |      |        |
| F3001010     | DN25 | G1" BSP                     | 214 | 113 | 58  | 124 | 338 | 29,5 | 8,5kg  |
| F3001210     |      | 1" NPT                      |     |     |     |     |     |      |        |
| F3002010     | DN32 | G1 1/4" BSP                 | 257 | 111 | 81  | 154 | 396 | 40   | 13,4kg |
| F3002210     |      | 1 1/4" NPT                  |     | 120 |     |     |     |      |        |
| F3003010     | DN40 | G1 1/2" BSP                 | 257 | 130 | 100 | 154 | 413 | 50   | 15,8kg |
| F3003210     |      | 1 1/2" NPT                  |     |     |     |     |     |      |        |
| F3004010     | DN50 | G2" BSP                     | 334 | 140 | 118 | 161 | 439 | 59   | 21,0kg |
| F3004210     |      | 2" NPT                      |     | 150 |     |     |     |      |        |

\*all lengths in millimeter [mm]

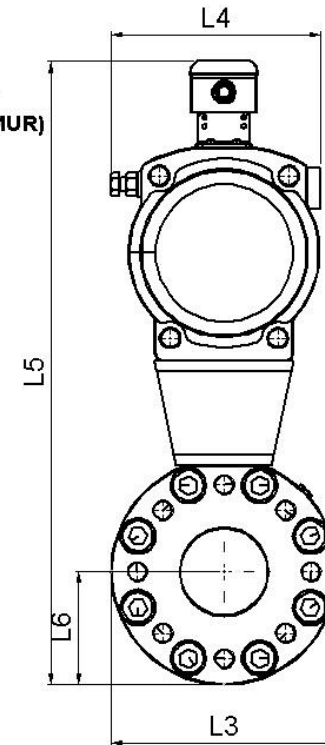
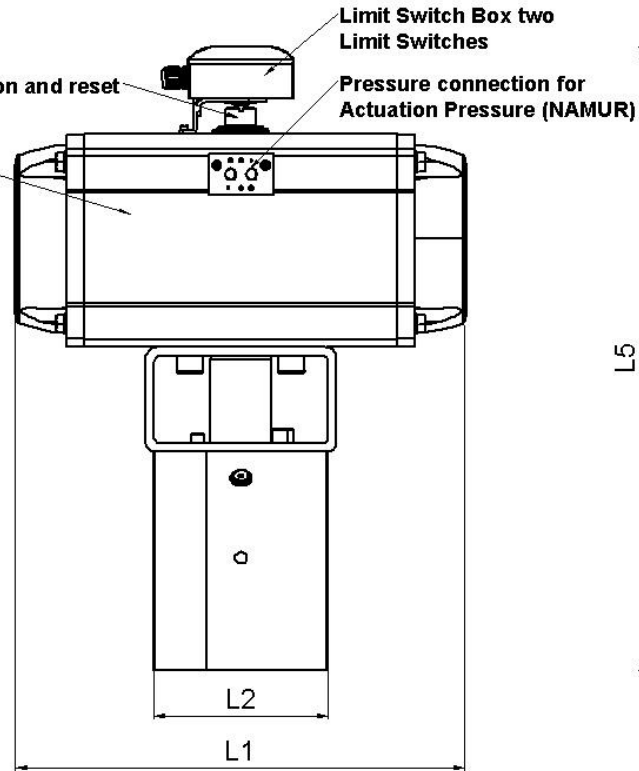


**Directional Valves with ISO Flange Connection (as per ISO6164-2) 240bar use**



\*These products meet the requirements of FM standards and have been successfully tested by FM Approvals

Shaft for manual  
Emergency Actuation and reset  
Pneumatic Drive  
(Actuator)



| Article Code | Size  | Connection Type [ISO Flange] | L1  | L2  | L3  | L4  | L5  | L6  | Weight |
|--------------|-------|------------------------------|-----|-----|-----|-----|-----|-----|--------|
| F3005110     | DN63  | 2 1/2"                       | 520 | 150 | 208 | 242 | 630 | 104 | 74,8kg |
| F3006110     | DN80  | 3"                           | 636 | 170 | 258 | 306 | 670 | 129 | 129kg  |
| F3007110     | DN100 | 4"                           | 636 | 200 | 260 | 306 | 741 | 129 | 143kg  |

\*all lengths in millimeter [mm]

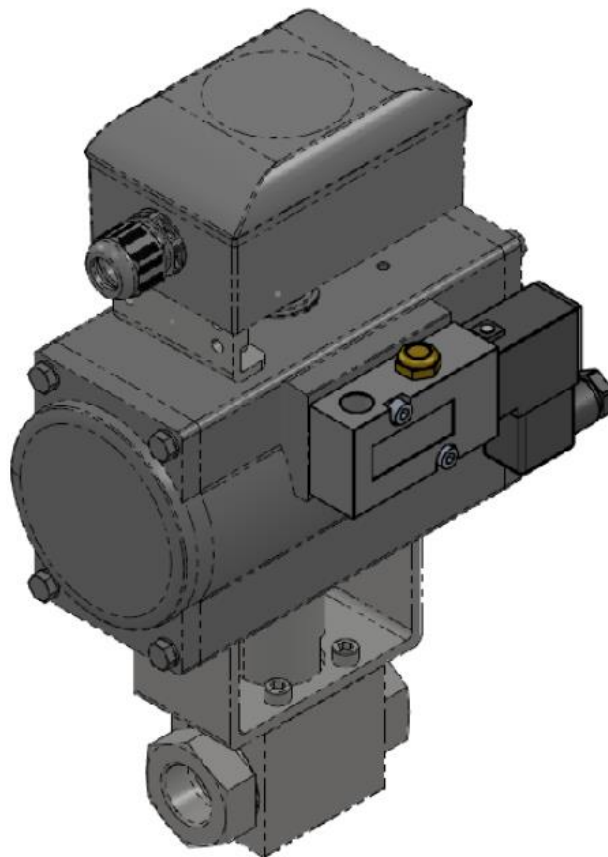
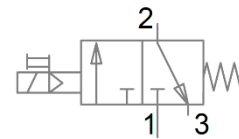
## **Solenoid Valves to control the Directional Valves directly**

For direct assembly to the pneumatic actuation ports

- Type F0150032
  - 3/2 valve - NC
  - 24VDC +/-10%
  - 3.1W
  - Electrical actuation, spring return
  - Operating pressure 6-10bar
  - IP65 / 100%ED
- Type F0150036
  - 3/2 valve - NC
  - 24VDC +/-10%
  - 1.8W
  - Electrical actuation, spring return
  - Operating pressure 6-10bar



**Symbol:**



**For more details and information like**

- Datasheets
- Technical Drawings
- Instruction Manuals
- Additional Catalogues
- ...

**Please send a request to: [sales@fiwarec.de](mailto:sales@fiwarec.de)**

**Or visit the download area on our website under:**

**<http://fiwarec.de/de/login.html>**

Copyright according to ISO 16016:

All rights reserved in the event of the grant of a patent, utility model or design.

Modifications may take place and materials may be changed without prior notice.



**FiWaRec® GmbH**

Europa-Allee 51  
54343 Föhren

Germany